

The Kid Helper is a version of learning tower, which grows with the child. Once the child doesn't need it you can simply remove the bird's sides and use it as a stepladder for the whole family. Children usually use it between the age from 1 to 8. Then, it can serve you as a common wooden stepladder.

The Kid Helper was developed with regard to functionality, safety, but also design and space. It is safe, looks great and it won't take up too much space. It helps to set up safe learning environment for children from very young age.

#### Kid Helper with the KIDSAFE add-on

(textile safety add-on – must be purchased separately) > 1 - 2 years

- From the moment your child stands up, walks around furniture and is interested in the work they cannot see.
- The **Kidsafe** textile add-on ensures children's safety during that time when neither them or you are able to predict their movement accurately.
- Children must not crawl into Kid Helper stool with **Kidsafe** independently, their parent or caretaker puts them in from above.
- Weight limit of the textile add-on is 15 kg

#### Kid Helper without Kidsafe > 1,5 - 3 years

- Child has its moves under control, but needs the side support.
- Child climbs in and out of the Kid Helper itself.
- According to child's height you can adjust height of the upper step
- Always check the Velcro is correctly attached.

#### Kid Helper Stepladder without sides > 3 - 99 year

- 3 adjustable heights of the upper step
- Children around 7 years old still actively use the Stepladder with upper step in the lowest position.
- Then you can adjust the upper step such as to satisfy the whole family for daily use; eg. To reach to high places.

Made in Czech Republic from birch tree. Wood is a natural material, it may have different shades and knots.

The treatment is colorless with EN 71 certification and antiskidification, or oil (as per variant).

Load capacity: 120 kg, KIDSAFE's weight limit is 15 kg (safety textile add-on)

Recommended age of use: 1-?

Maintenance: Damp cloth

Designed for indoor use

Wash KidSafe the usual way at 40 degrees. Iron out after washing. Don't dry in dryer.

#### Warning:

#### Kid Helper is not a toy!!!

Using Kid Helper requires constant parent supervision.

The Kid Helper always must be moved right next to the working table.

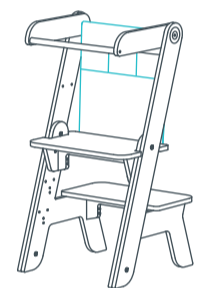
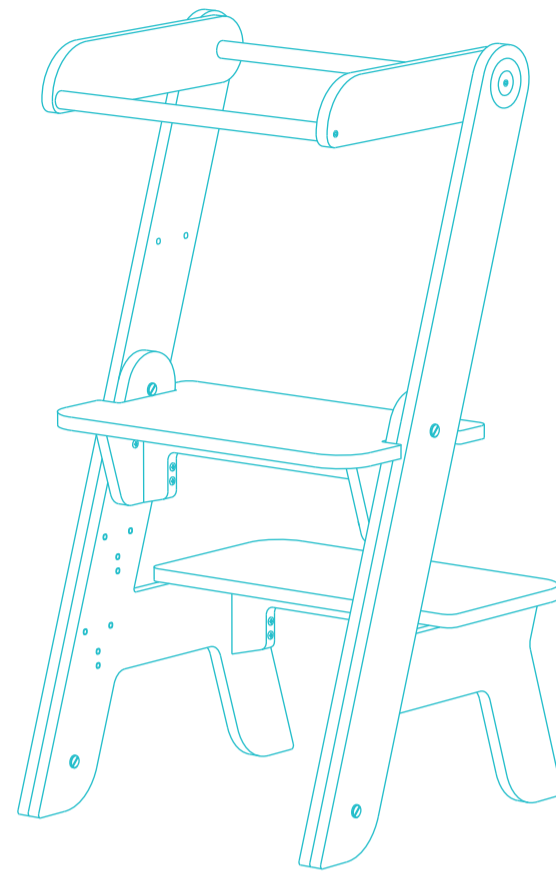
Kid Helper is not a playground. It enables the child to safely access the adult world.

Risk of side overturning. Risk of anterior falling.

Set rules of safe usage of the Kid Helper according to child's development right from the beginning and be consistent.

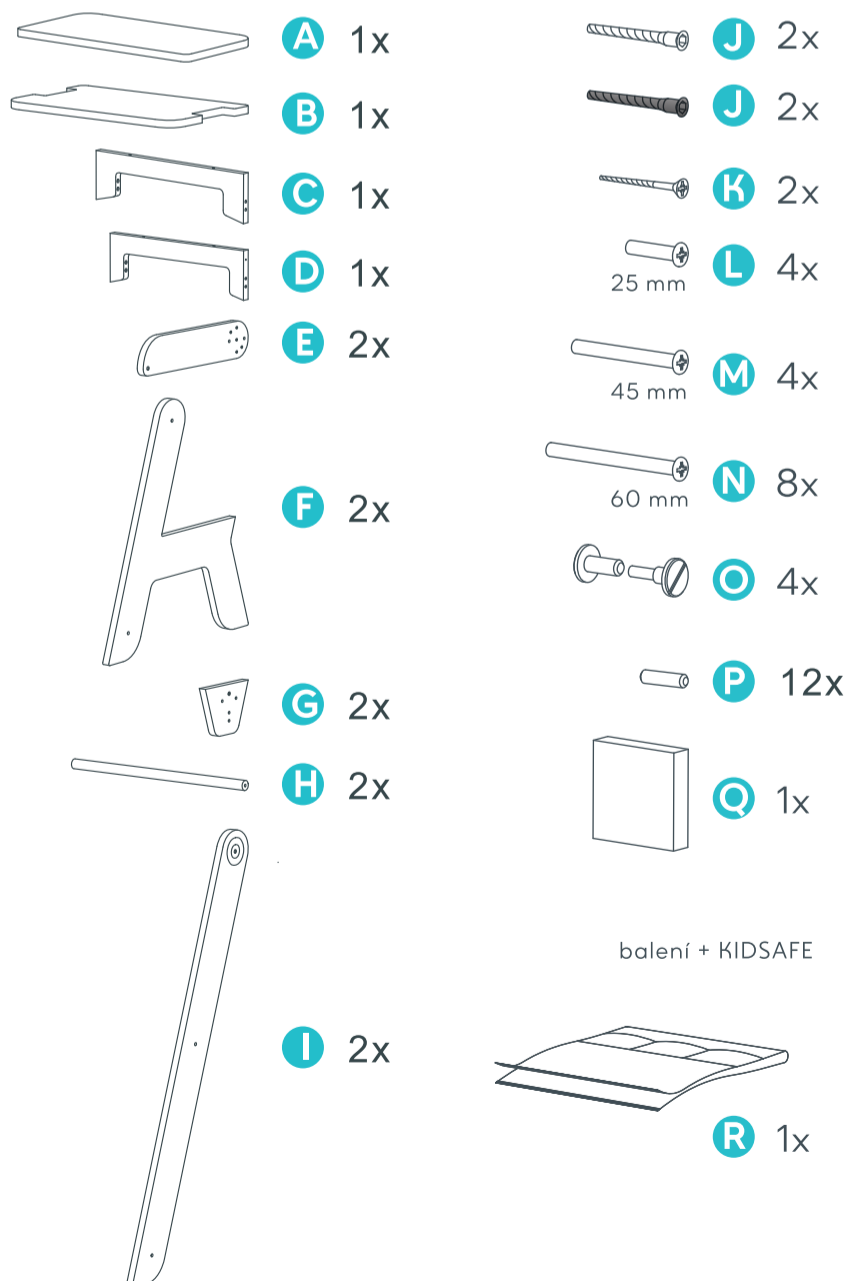
# utukutu

kid helper



+ KidSafe

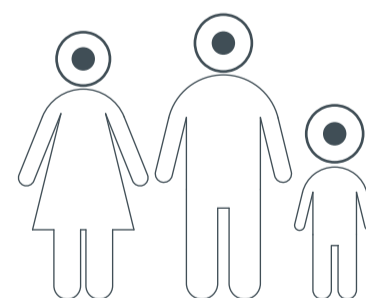
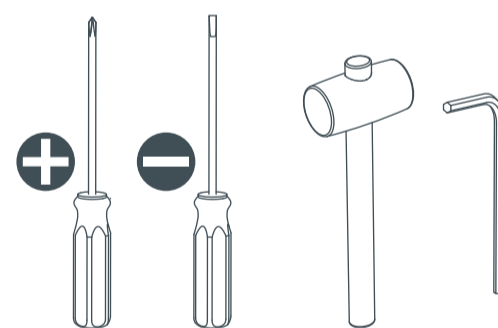
#### Kid Helper pack contains:



balení + KIDSAFE

version: 4KH

#### you will need:



Tutorials:



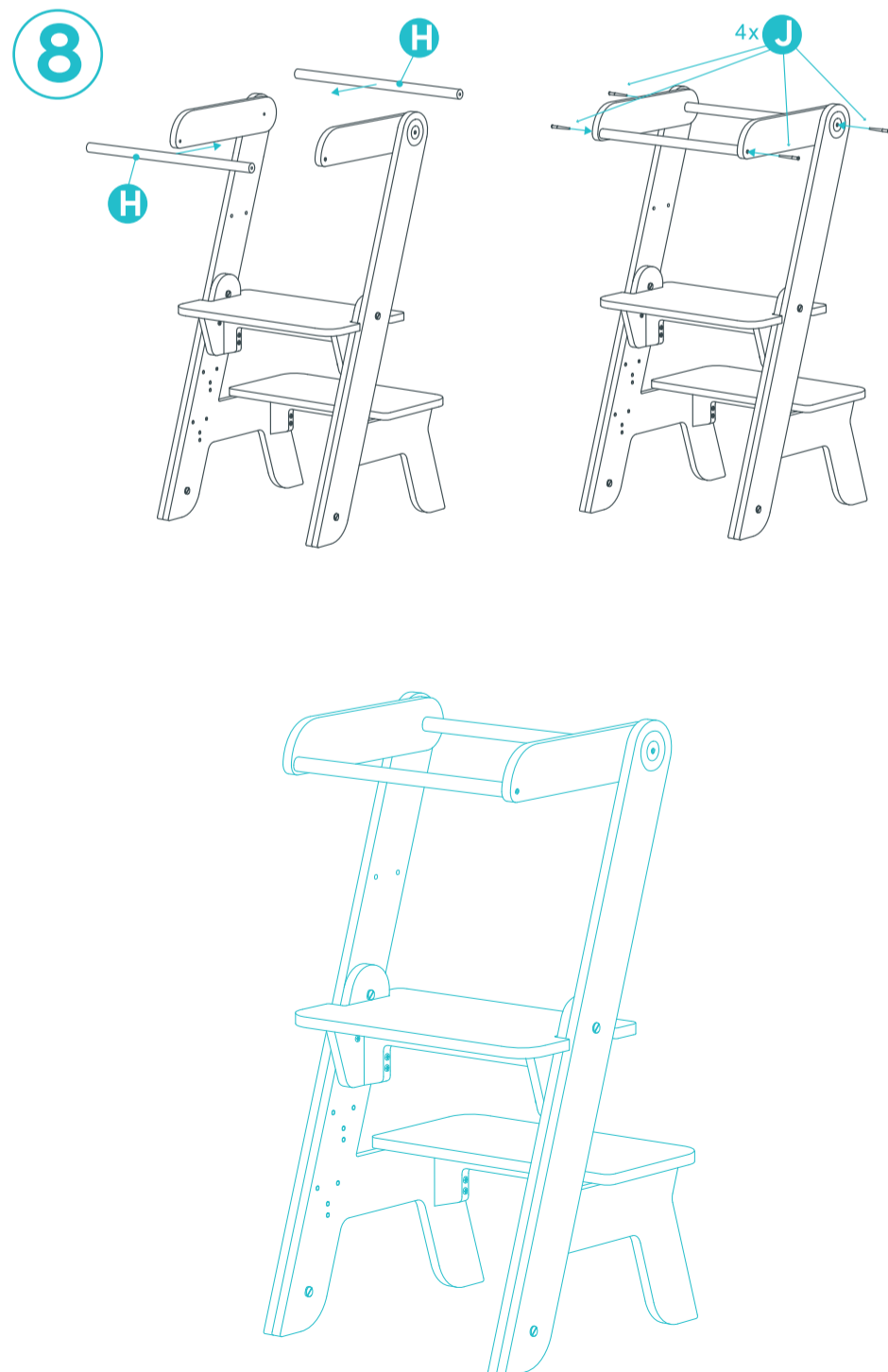
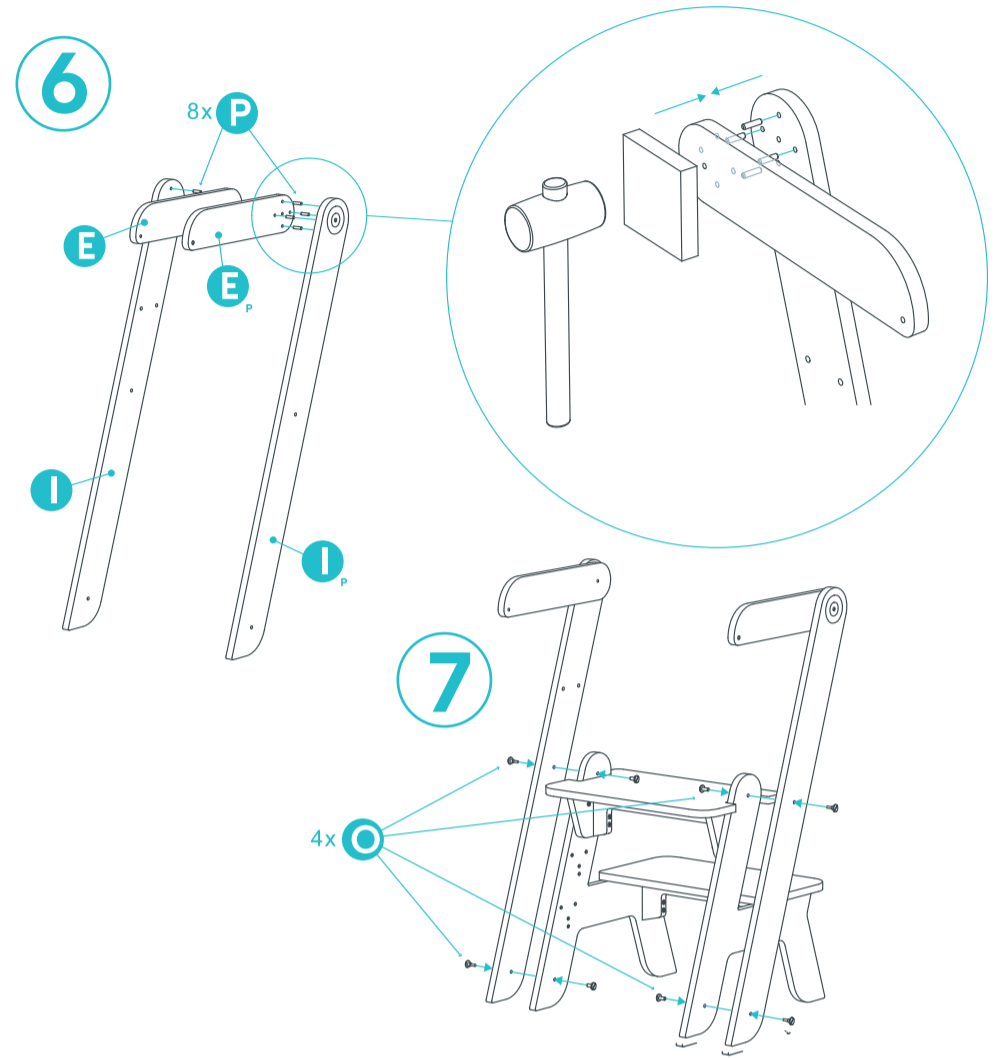
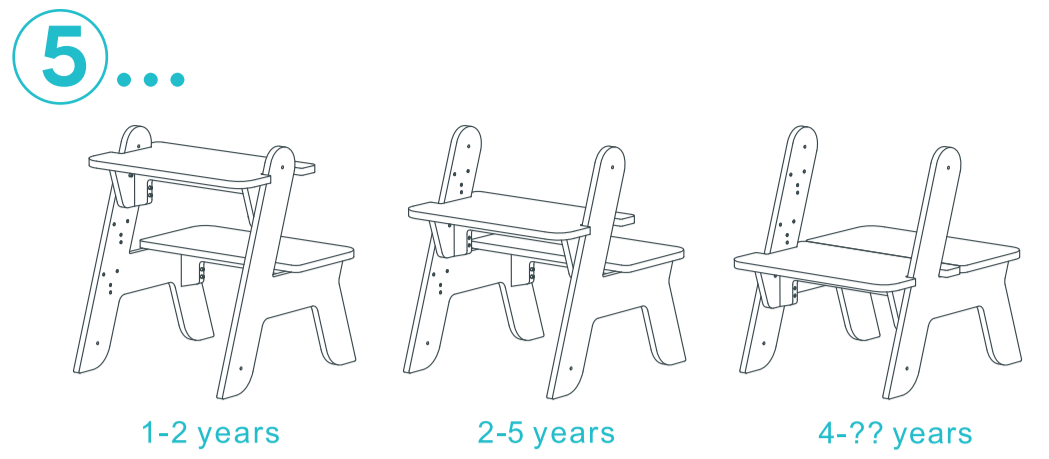
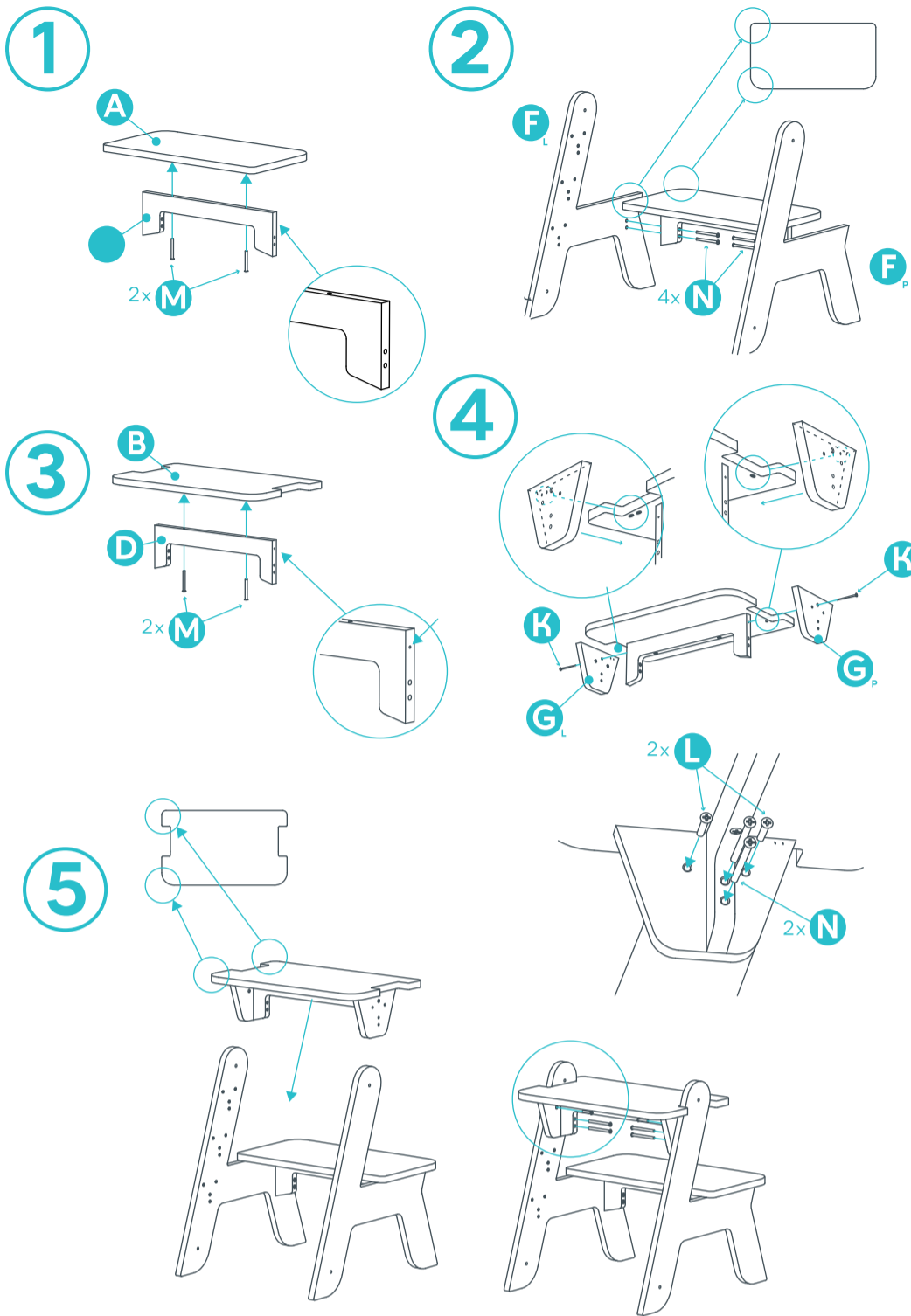
Share with us your experiences

[www.utukutu.eu](http://www.utukutu.eu)

[f utukutu.eu](https://www.facebook.com/utukutu.eu)

[© utukutu.eu](https://www.instagram.com/utukutu.eu)

#utukutu #kidhelperutukutu



+ KidSafe

